

## features

- content: C-mount adapter, sealings, screws, retaining bracket, spacers, cover glass
- sealing depends on camera model

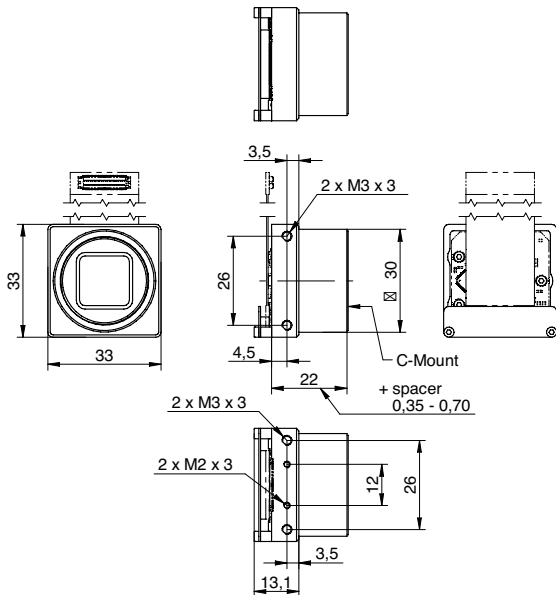


## mechanical data

material aluminium

weight  $\leq 31$  g

## dimension drawing



## schematic diagram

